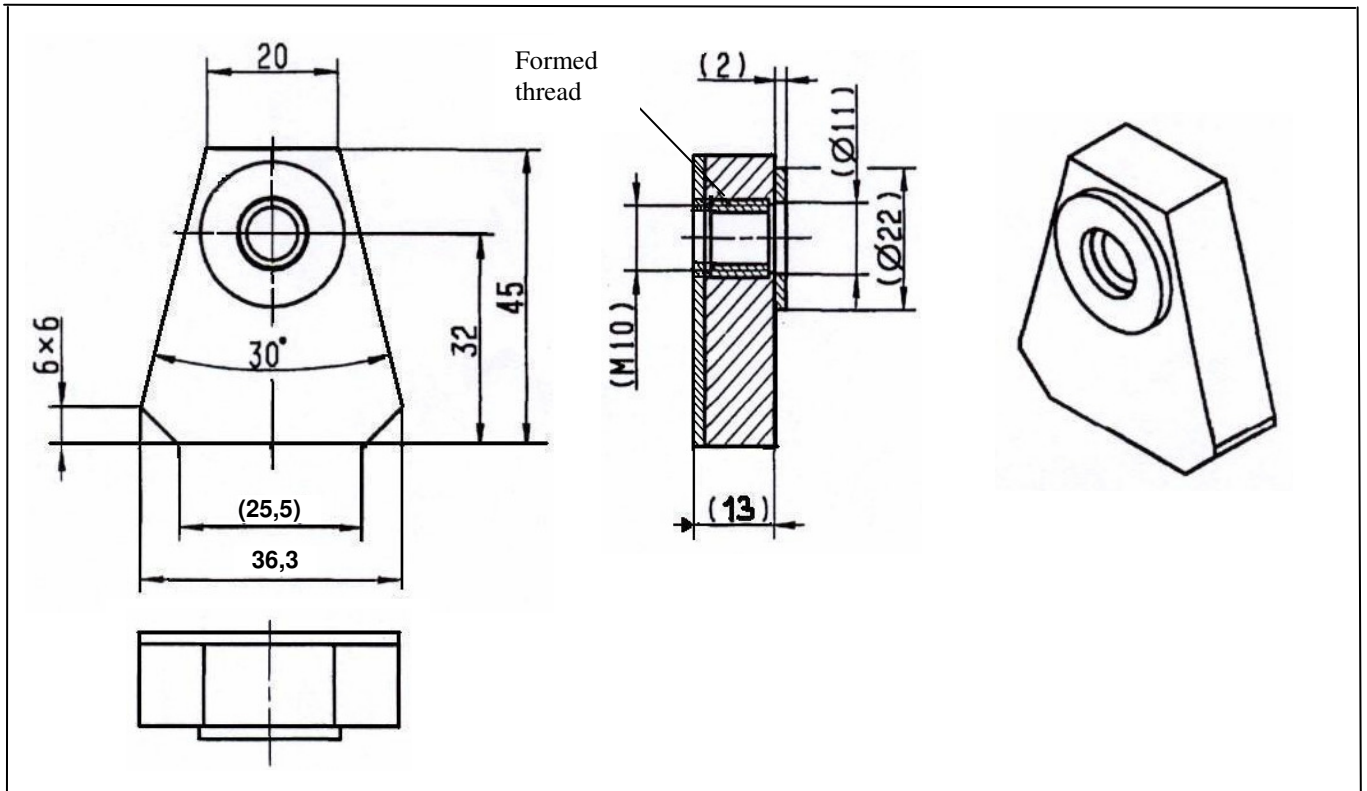


AIRcunal – Grounding latches for railway vehicle construction



Article-No.	11 40 204
Type	ERL-M10-204-KA
Description	Grounding latch, thread, customer-specific
Specification	Grounding latch for welding
Material	AIRcunal track (aluminium / copper) Similar to EN-AW1050 / 1080
Weight	52 g